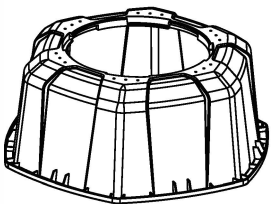
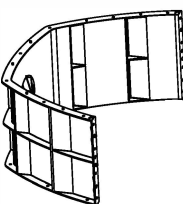
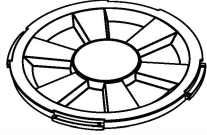




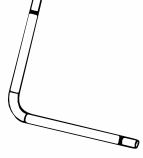

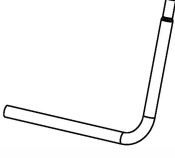


YARDSMITH® 45GAL COMPOST TUMBLER

INSTRUCTION MANUAL

Parts List

The tools required to assemble: PH2, PH3 Screwdriver

<p>#1</p>  <p>End cap x 2</p>	<p>#2</p>  <p>Middle body x 2</p>	<p>#3</p>  <p>Lid x 2</p>
<p>#4</p>  <p>Tube1 x 1</p>	<p>#5</p>  <p>Agitator x 2</p>	<p>#6</p>  <p>L screw set x 6</p>
<p>#8</p>  <p>Tube2 x 2</p>	<p>#9</p>  <p>Tube3 x 2</p>	<p>#7</p>  <p>S screw set x 36</p>
	<p>#10</p>  <p>Tube4 x 2</p>	

Assembly

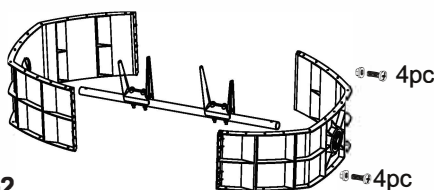
Step-1

Use 4x L Screw Set (#6) to connect the 2x Agitator (#5) parts to the internal Tube1 (#4).



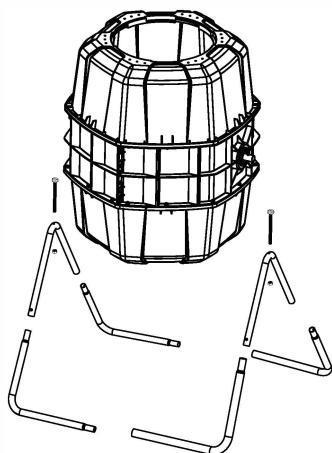
Step-2

Assemble the 2x Middle Body (#2) parts to each other using 8x S Screw Set (#7).



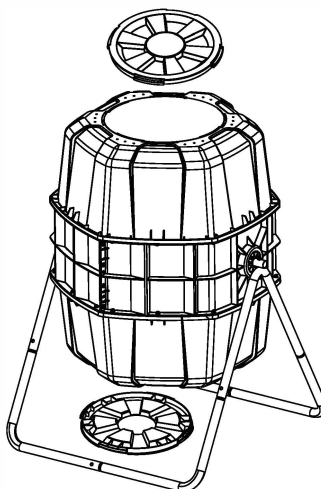
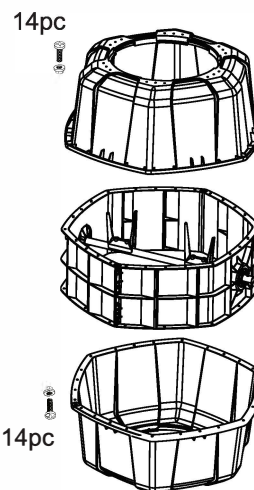
Step-4

Connect Tube2 (#8) to the assembled Compost Tumbler Body with L Screw Set (#6), connect Tube3 (#9) and Tube4 (#10) legs as shown.



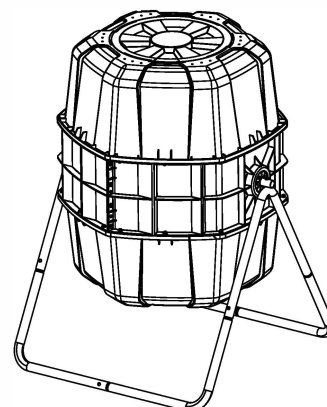
Step-3

Placing 1x End Cap (#1) on the ground as shown, place the assembled Middle Body from Step 2 and connect with 14x S Screw Set (#7). Then take the remaining End Cap (#1) and attach to the other side of the Middle Body with 14x S Screw Set (#7).



Step-5

Twist into each end the Lid (#3).



Final Assembled Product